

产品特点

- 采用先进的包胶工艺, IP67设计结构;
- R.G.B三色自动识别, 满足各方面检测要求;
- 色标、颜色二种检测模式, 最快速度45us;
- 极细光点 可实现高精度检测;
- 按键示教设置 使用简单方便;

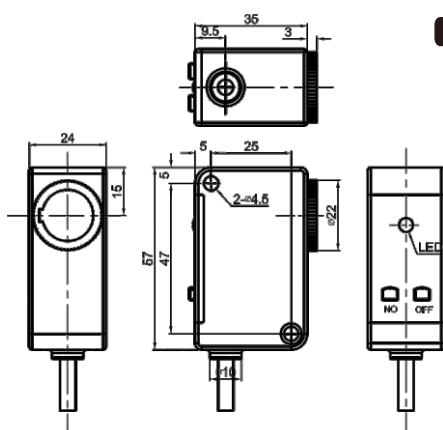


Product Features

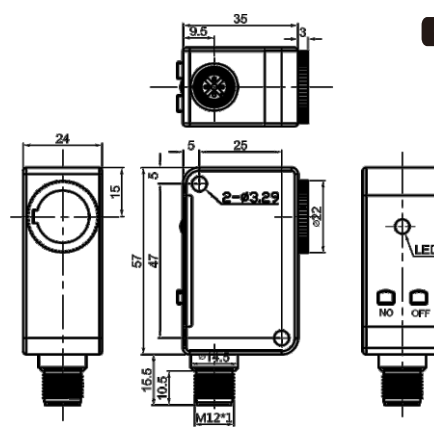
- Advanced encapsulation process, IP67 design structure;
- R.G.B three-color automatic identification to meet all aspects of testing requirements;
- Color mark, color two detection modes, the fastest speed 45us;
- Extremely fine spot for high precision detection;
- Key teaching settings, easy to use;

额定规格/性能 Ratings and Specifications

Sensing mode(检测方式)	Diffuse reflection漫反射	
Specification(尺寸)	PC35	
Model(型号)	PC35-D10BNS(-E)	PC35-D10BPS(-E)
Sensing distance(检测距离)	(10±3)mm	
Optical spot diameter(投光点直径)	1*5mm(Sensing distance检测距离10mm)	
Output mode(输出方式)	NPN	PNP
Switch mode(切换模式)	色标模式Color mark mode: Low:0~+2V 输入阻抗约Output Resistance 10KΩ 彩色模式Color mode: High:+5V~+V/或断开Or break	彩色模式Color mark mode: High:+5V~+V 输入阻抗约Output Resistance 10KΩ 色标模式Color mode: Low:0~+0.6V/或断开Or break
Power supply(电源电压)	DC12~24V,impulse(P-P) <10% (DC10-30V)/DC12~24V脉动(P-P)10%以下 (DC10-30V)	
Residual voltage(残留电压)	<1.5V DC (load current<100mA) /<1.5V DC以下 (负载电流低于100mA时)	
Current consumption(消费电流)	30mA max	
Load current(负载电流)	≤100mA	
Circuit protection(回路保护)	Short-circuit protection, reverse connection protection/短路保护,电源逆接极性保护	
Response Time(响应时间)	色标模式Color mark mode: <60us 彩色模式 Color mode: <150us	
Light Source(光源)	Red/Green/Blue Composite LED(红色/绿色/蓝色复合LED) Projection peak wavelength: 640nm/525nm/470nm 投光波峰波长: 640nm/525nm/470nm	
Connection(连接方式)	Cable 2m-PVC标准导线长2米	M12 Connector PVC-M12连接器
Ambient temperature(环境温度)	Work:-10°C~+55°C,store:-25°C~+70°C,with no icing or condensation/(使用时:-10°C~+55°C 保存时:-25°C~+70°C,不结冰不结露)	
Ambient humidity(环境湿度)	Work:35~85%RH store:35~85%RH,dewde forbidden/(使用时:35~85%RH 保存时:35~85%RH,不结露)	
Withstand voltage(耐压)	AC1000V,50/60Hz 1min	
Insulation resistance(绝缘电阻)	>50MΩ (DC500V megger) /500MΩ以上(DC500V摇表)充电部整体与外壳间	
Anti-vibration(耐振动)	10~55 Hz, double-amplitude 1.5mm ,X,Y,Z(2H)/10~55 Hz, 复振幅 1.5mm ,X,Y,Z(2H)	
Protection degree(防护等级)	IEC IP67	
Housing material(材质)	Hosing壳体: PBT	Lens透镜: PC

Dimension(尺寸图)
(Unit/单位:mm)

CAD数据



CAD数据